



Specifications

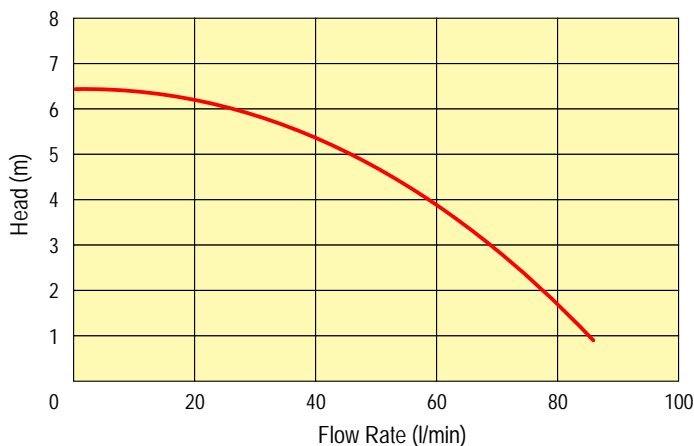
Output Power HP (kW)	1/8 (0.1)
Phase	1 Phase
Pole & Rotational Speed	2 Pole, 2900 r/min
Voltage	220-230 V
Frequency	50 Hz
Maximum Current	3.5 A

Bore size	1"
Working Fluid Type	Clean Water
Max. Fluid Temperature	40 °C

Degrees of Protection	IP 68
Enclosure Construction	Totally enclosed
Thermal Class	B
Thermal Protector	Attached Inside Motor Frame
Seal Type	Oil Seal

Pump Cover Material	ABS (High Impact)
Impeller Material	Nylon 6 + Glass Fiber 30%
Shaft Material	Stainless Steel
Motor Frame Material	Aluminium

Characteristic Curve

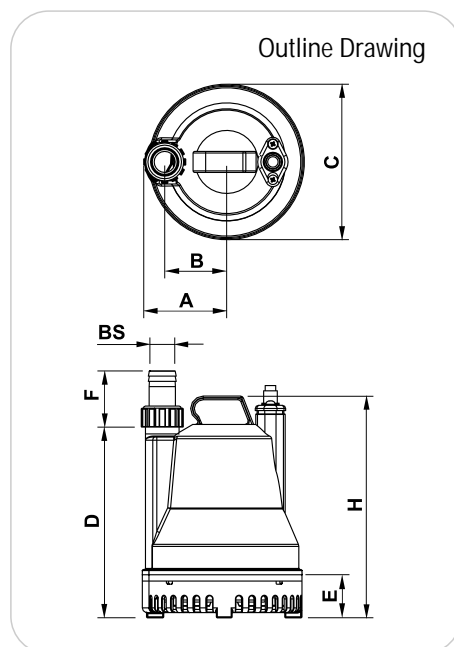


Characteristic

Flow Rate	m ³ /hr	0	0.6	1.2	1.8	2.4	3	3.6	4.2	4.8
	l/min	0	10	20	30	40	50	60	70	80
Total Head (m)		6.4	6.3	6.2	5.8	5.3	4.8	3.9	2.9	1.7

Circumstance Conditions

Ambient Temperature	-20 ~ +40°C
Ambient Humidity	95% RH or less
Operating Altitude	Less than 1,000m above sea level
Environment	No bursting / erosive gas or vapor



Dimensions (mm)

BS2	Pump							Approximated Weight (kg)
	A	B	C	D	E	F	H	
1"	78	59	148	180	40	55	211	3.5